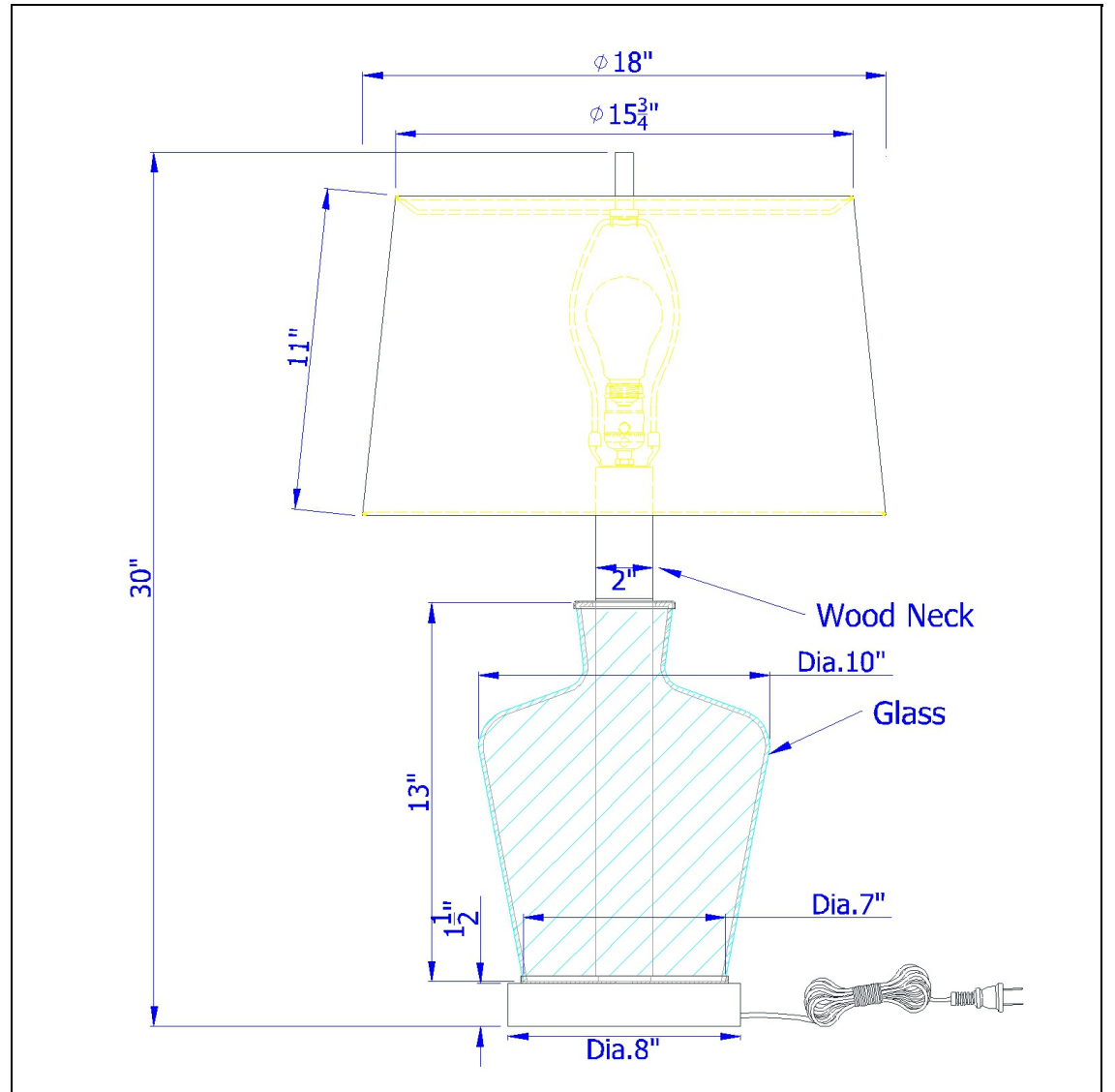


Product No. **BO-3031TB**



Description

Salford Glass/Wood table lamp with taper drum hardback shade
Durable Glass Construction
Oak Inner Stem
150W Three Way Switch
Durable Hardback Linen Shade Included
Weighted Based For Added Stability
Ships in One Carton
This stylish lamp is a versatile addition to any d?or. It features a clear glass jar style body with

Technical Specifications

UPC	020193067284	Shade Top1	15.75
Wattage	150W	Shade Bottom1	18.00
Switch Type	3WAY	Shade Side	11.00
Bulb Base	E26	Carton 1 Dimensions	19.50 x 20.00 x 20.00
Number of Lights	1	Carton 2 Dimensions	0.00 x 0.00 x 20.00
Color	Glass/Oak	Package Dimensions	L: 20.00 W: 20.00 H: 19.50
Base Color	Black		