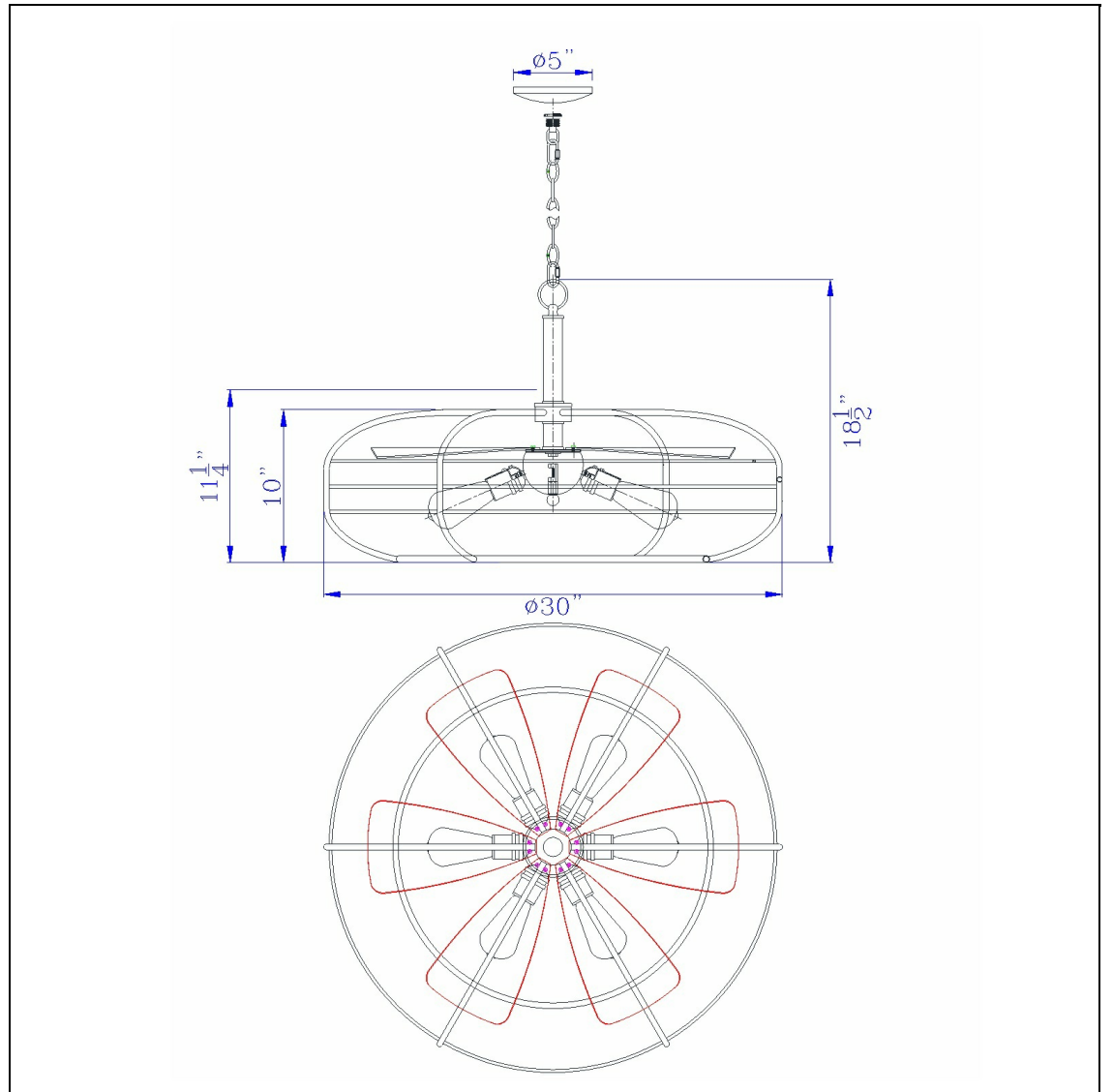


Product No. **FX-3711-6**



Description

Margo 60W X 6 Metal Chandelier (Edison Bulbs Not included)  
Durable Forged Metal Construction  
Circular Cage Design  
Fan Blade Accent  
Two Tone Finish  
6 ft chain  
Ships in One Carton  
Ships in One Carton  
18.25" Height Metal Fixture in Dark Bronze Finish

Technical Specifications

<b>UPC</b>	020193067284	<b>Carton 1 Dimensions</b>	13.50 x 32.50 x 32.50
<b>Wattage</b>	60WX6	<b>Carton 2 Dimensions</b>	0.00 x 0.00 x 32.50
<b>CRI</b>	N/A	<b>Package Dimensions</b>	L: 32.50 W: 32.50 H: 13.50
<b>Lumen</b>	N/A		
<b>Switch Type</b>	Hardwired		
<b>Bulb Base</b>	E26		
<b>Number of Lights</b>	6		
<b>Color</b>	Dark Bronze		
<b>Base Color</b>	Dark Bronze		