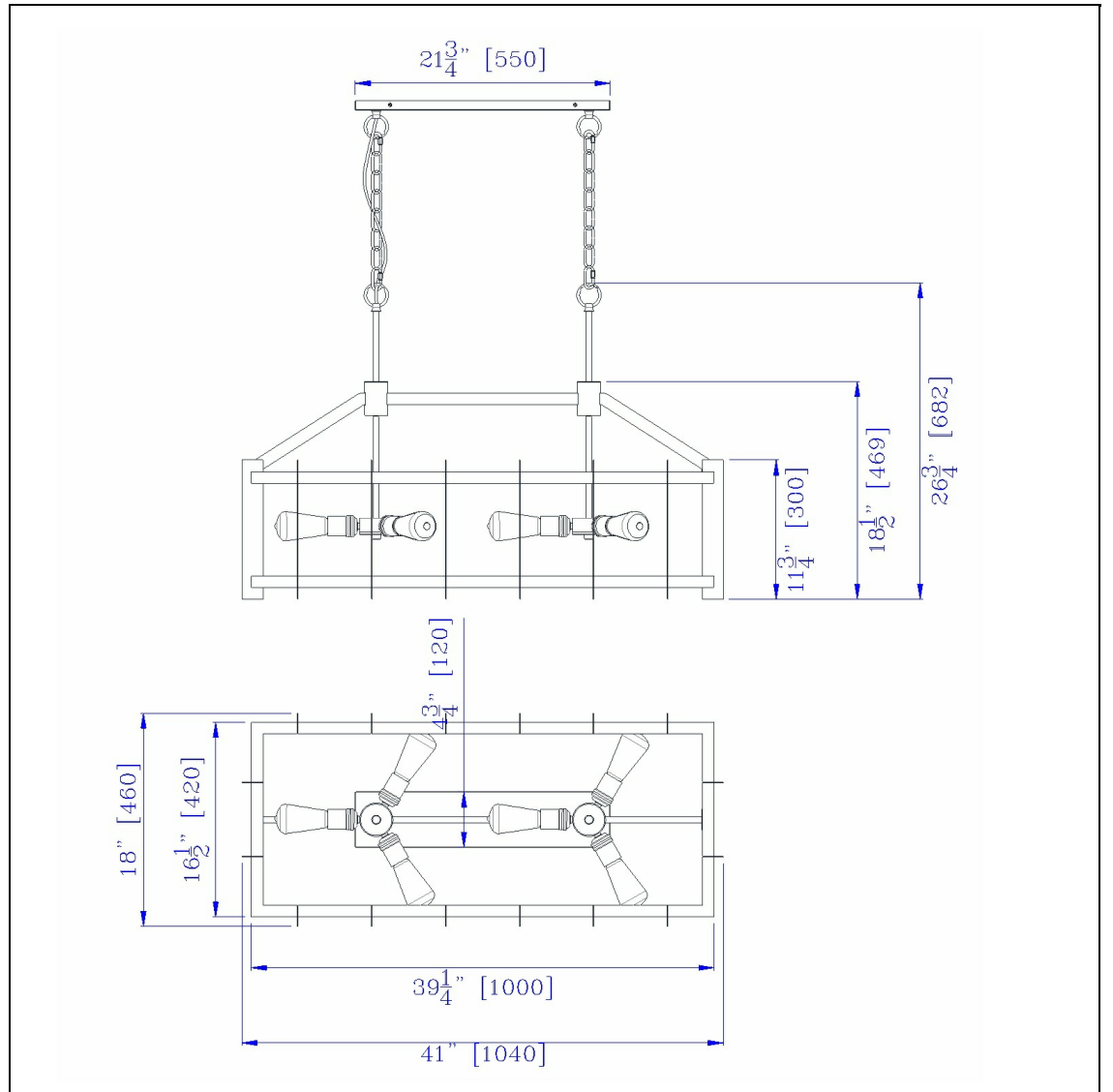


Product No. **FX-3705-6**



Description

Bruck 60W X 6 Metal/Pine Wood Island Chandelier (Edison Bulbs Not included)
Durable Pine Wood Construction
Rectangular Island Bar Design
Edison Bulbs Not Included
6 Foot Dual Chain
Ships in One Carton
10 ft cord
dual chain
dual chain
26.75" Height Pine Wood and Metal Fixture in Iron and Light Oak Finish

Technical Specifications

UPC	020193067284	Carton 1 Dimensions	15.00 x 21.00 x 15.00
Wattage	60WX6	Carton 2 Dimensions	0.00 x 0.00 x 15.00
CRI	N/A	Package Dimensions	L: 15.00 W: 21.00 H: 15.00
Lumen	N/A		
Switch Type	Hardwired		
Bulb Base	E26		
Number of Lights	6		
Color	Iron/Light Oak		
Base Color	Iron/Light Oak		