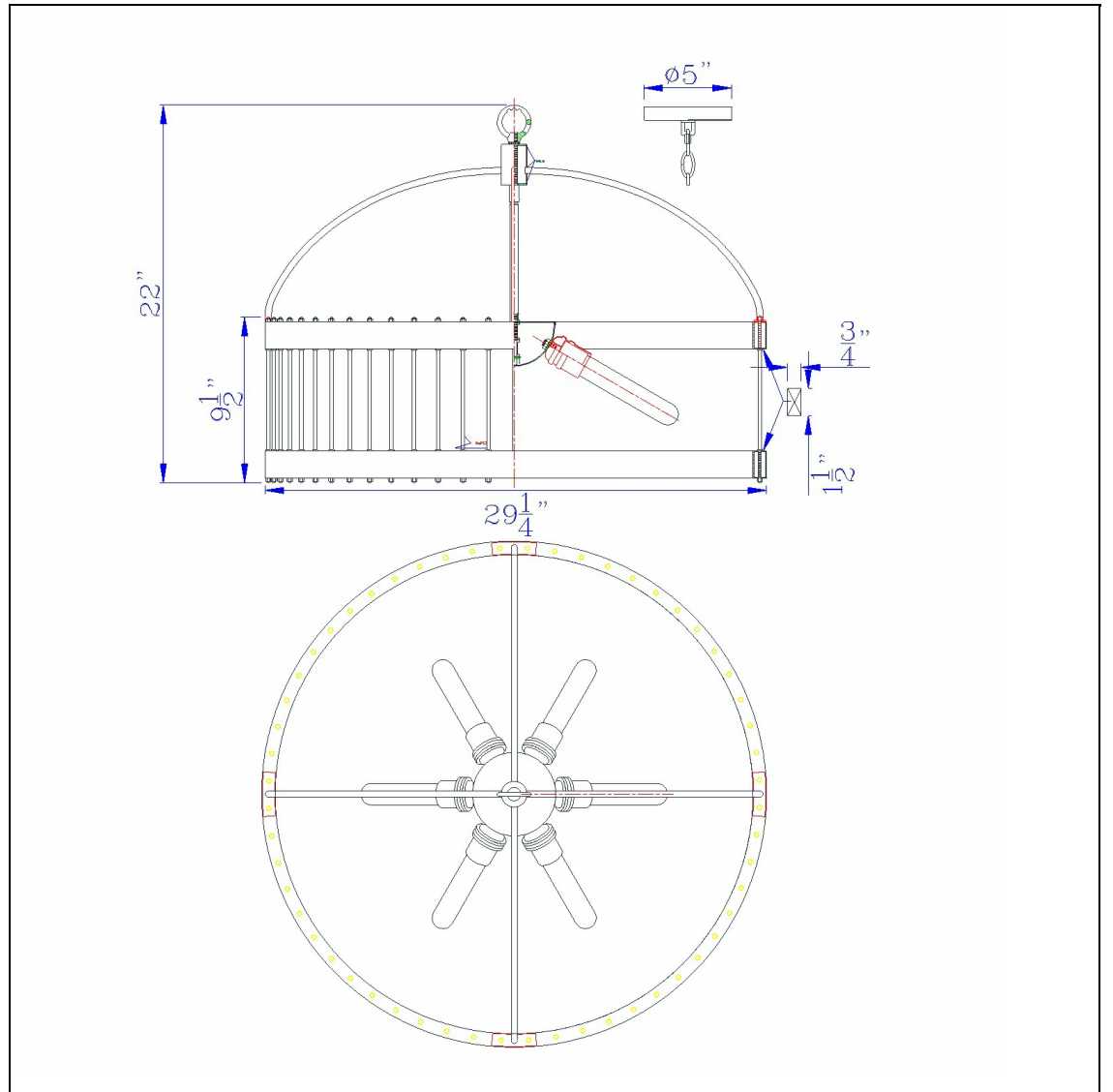


Product No. **FX-3700-6L**



Description

Cantania 60W X 6 Metal Pendant Fixture
(Edison Bulbs Not included)
Durable Metal Construction
Edison Bulb Not Included
Circular Cage Design
72" Chain Included
Ships in One Carton
5" Canopy Included
5" Canopy Included
22" Height Metal Fixture in Metal Finish

Technical Specifications

UPC	020193067284	Carton 1 Dimensions	14.30 x 32.80 x 32.80
Wattage	60WX6	Carton 2 Dimensions	0.00 x 0.00 x 32.80
CRI	N/A	Package Dimensions	L: 32.80 W: 32.80 H: 14.30
Lumen	N/A		
Switch Type	Hardwired		
Bulb Base	E26		
Number of Lights	6		
Color	Metal		
Base Color	Metal		