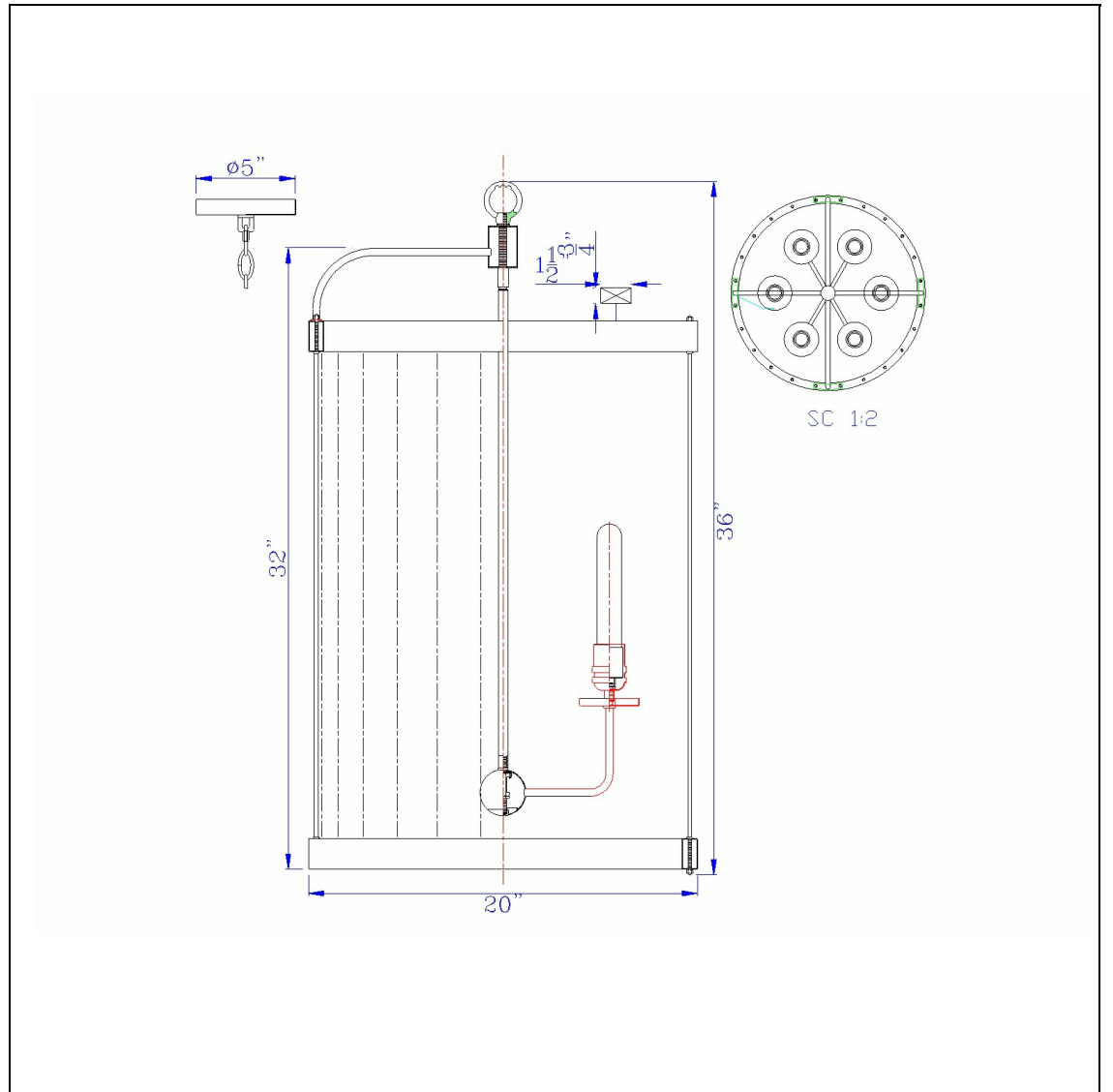


Product No. **FX-3700-6**



Description

Cantania 60W X 6 Metal Pendant Fixture  
(Edison Bulbs Not included)  
Durable Metal Construction  
Edison Bulb Not Included  
Caged Cylinder Design  
72" Chain Included  
Ships in One Carton  
5" Canopy Included  
5" Canopy Included  
36" Height Metal Fixture in Metal Finish

Technical Specifications

<b>UPC</b>	020193067284	<b>Carton 1 Dimensions</b>	36.80 x 23.30 x 23.30
<b>Wattage</b>	60WX6	<b>Carton 2 Dimensions</b>	0.00 x 0.00 x 23.30
<b>CRI</b>	N/A	<b>Package Dimensions</b>	L: 23.30 W: 23.30 H: 36.80
<b>Lumen</b>	N/A		
<b>Switch Type</b>	Hardwired		
<b>Bulb Base</b>	E26		
<b>Number of Lights</b>	6		
<b>Color</b>	Metal		
<b>Base Color</b>	Metal		