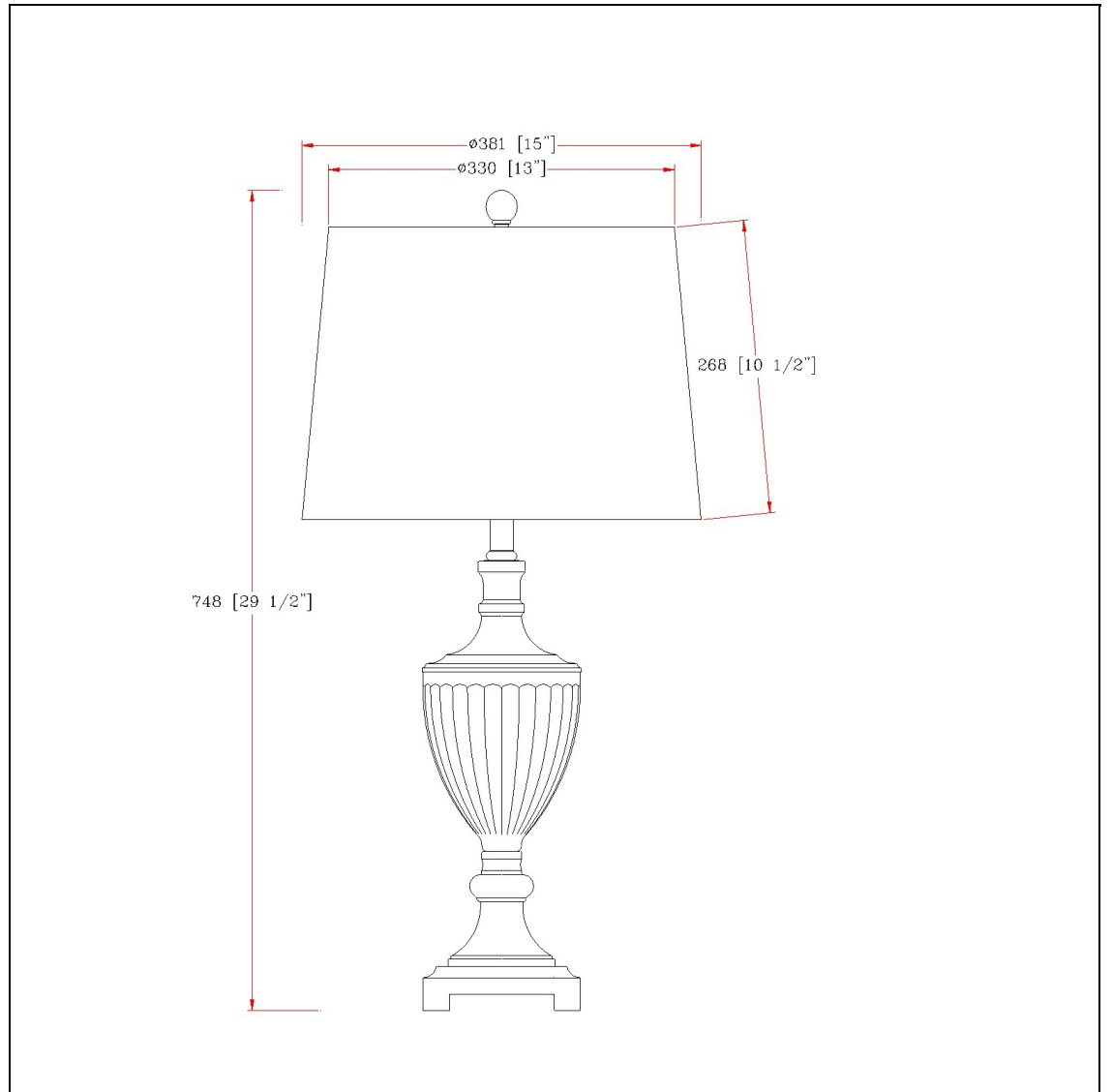


Product No. **BO-2707TB-2**



Description

150W 3 Way Derby Metal/Glass Table Lamp.
Sold And Priced in Pairs
Durable Metal Construction
Amber glass urn design
Sold as a pair
Ships in one carton
Little to no assembly required
28.5" Height Metal Table Lamp in Chrome

Technical Specifications

UPC	020193067284	Shade Top1	13.00
Wattage	150W	Shade Bottom1	15.00
CRI	N/A	Shade Side	10.00
Lumen	N/A	Carton 1 Dimensions	21.30 x 16.00 x 16.00
Switch Type	3-Way	Carton 2 Dimensions	0.00 x 0.00 x 16.00
Bulb Base	E26	Package Dimensions	L: 16.00 W: 16.00 H: 21.30
Number of Lights	2		
Color	Chrome		
Base Color	Chrome		