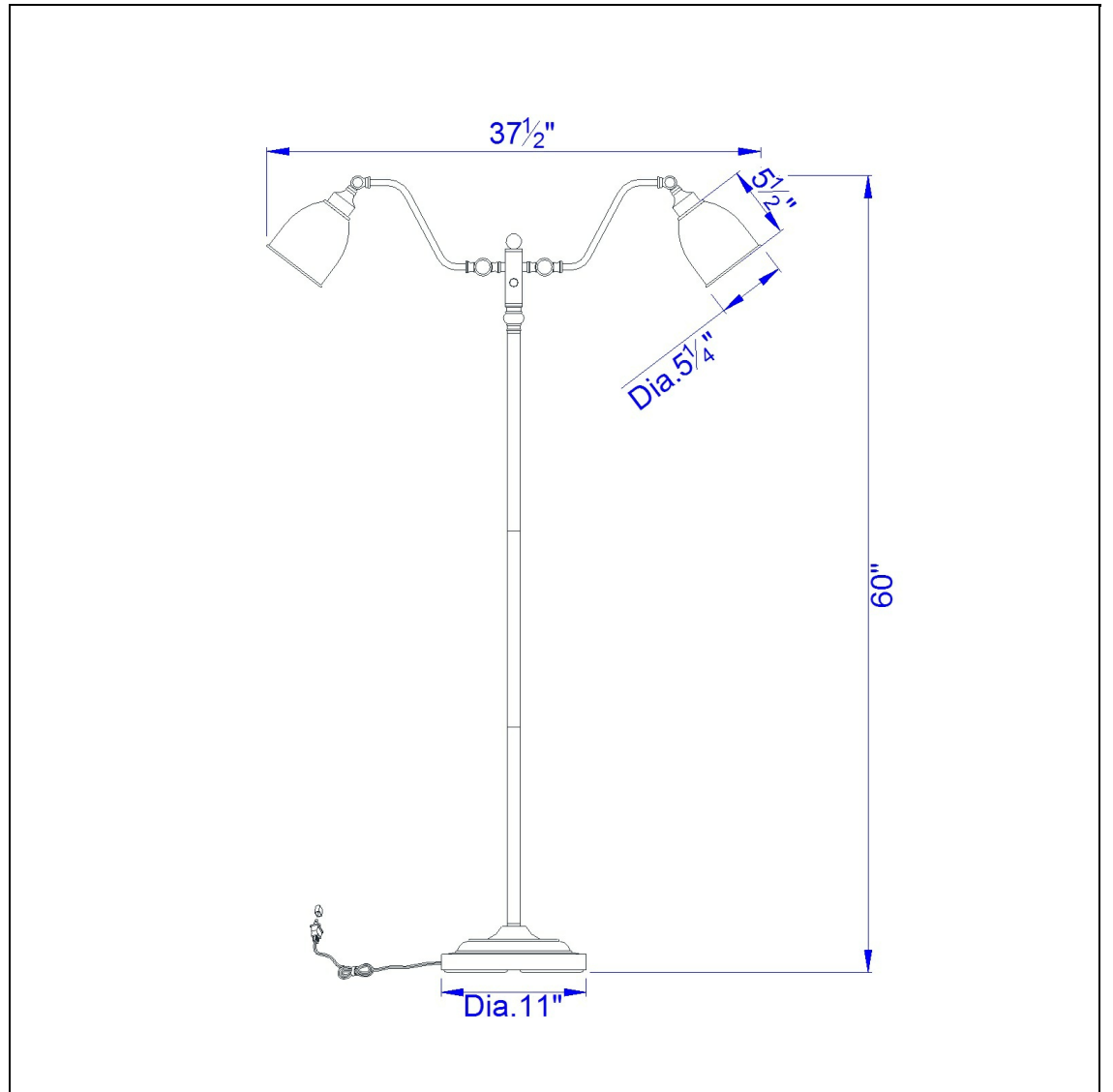
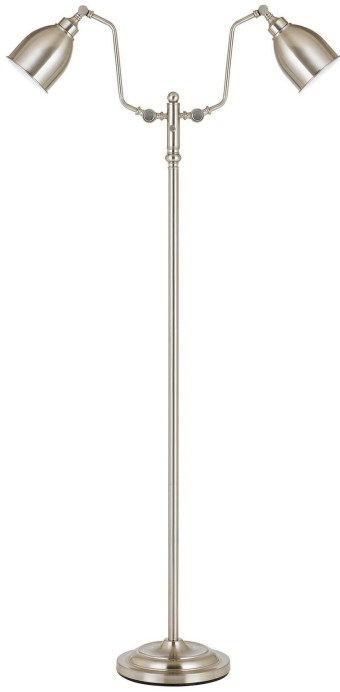


Product No. **BO-2032FL-2L-BS**



Description

60W X 2 Dual Light Pharmacy Floor Lamp  
With Metal Shade  
Durable Metal Construction  
Double head for optimal control of light  
On/off Pole Switch  
Adjustable head  
Ships in one Carton  
63" Height Metal Pharmacy Floor Lamp in  
Brushed Steel

Technical Specifications

<b>UPC</b>	020193067284	<b>Carton 1 Dimensions</b>	7.60 x 16.30 x 20.30
<b>Wattage</b>	60WX2	<b>Carton 2 Dimensions</b>	0.00 x 0.00 x 20.30
<b>Switch Type</b>	On/Off	<b>Package Dimensions</b>	L: 20.30 W: 16.30 H: 7.60
<b>Bulb Base</b>	E26		
<b>Number of Lights</b>	2		
<b>Color</b>	Brushed Steel		